

Model: SDU-1206-00

0.5%RH, 1160L



SDU-1206-00 has an outstanding performance for drying moisture sensitive components and PCBs as a result of a high performance drying unit. Humidity can be controlled precisely by digital panel to reach the lowest 1%RH. It is specially designed for moisture sensitive SMD packages to comply with IPC/JEDEC J-STD-033D.

Totech SDU series is installed newly made dry units U-2005F by Toyo Living, the first developer of electronic dry cabinets in Japan since 1974. The outstanding feature of SDU series is fast recovery after door-open-close, with the everlasting advantages of constant ultra low humidity, high reliability and low power consumption. And it is widely used in the fields of electronics, optics, chemicals, labs, especially for the occasion with frequent door opening. It keeps min. 0.5%RH and suit for moisture sensitive components with all MSLs.

#### Features

- ❖ **Humidity control:** min. <0.5%RH
- ❖ **Fast recovery:** Humidity recovers to <5%RH within 15 minutes after door-open-close.
- ❖ **Precise control:** Humidity is set by digital control panel by +/-1%RH. The digital panel also displays humidity and temperature value. Key Lock function on the digital control panel prevents unintended changes of setting. Sensor calibration function is also available with digital panel.
- ❖ **ESD safe:** Cabinet body is made of 1.2mm ESD coated steel body, ESD safe steel shelves and ground wire, well comply with IEC 61340-5-1.
- ❖ **Maintenance free:** Totech dry cabinet works by dry units. An interlocked fan causes the air to circulate through the dry unit, while passing through the dry unit moisture in the air is absorbed by the zeolite desiccant. During periodic regenerating of the zeolite desiccant by heating, the absorbed humidity is evaporated and exhausted through the external shutters of the dry unit. The process is physical, and no replacement or extra maintenance at all.
- ❖ **Lockable doors:** Every door can be locked separately with a key.
- ❖ **Energy saving:** Mean power consumption 58W/h, 1/3 of the other brands.

#### Applications

SUPER DRY maintains preset internal humidity levels 0.5%RH and is ideal for moisture-proof and anti-oxidation storage applications, offering protection from corrosion, mold and deterioration for such items as:

- ❖ All kinds of Integrated Circuits (IC), like Monolithic, BGA, QFP; PLCC, Bipolar etc.
- ❖ Silicon Wafers.
- ❖ Aerospace related Instruments and Tools.
- ❖ Optical Equipment and Machine Tools.
- ❖ Watches.
- ❖ PDP Inspection Equipment, Liquid Crystal Cleaning Equipment, LCD' s, TAC' s etc.
- ❖ LED' s and LD' s.

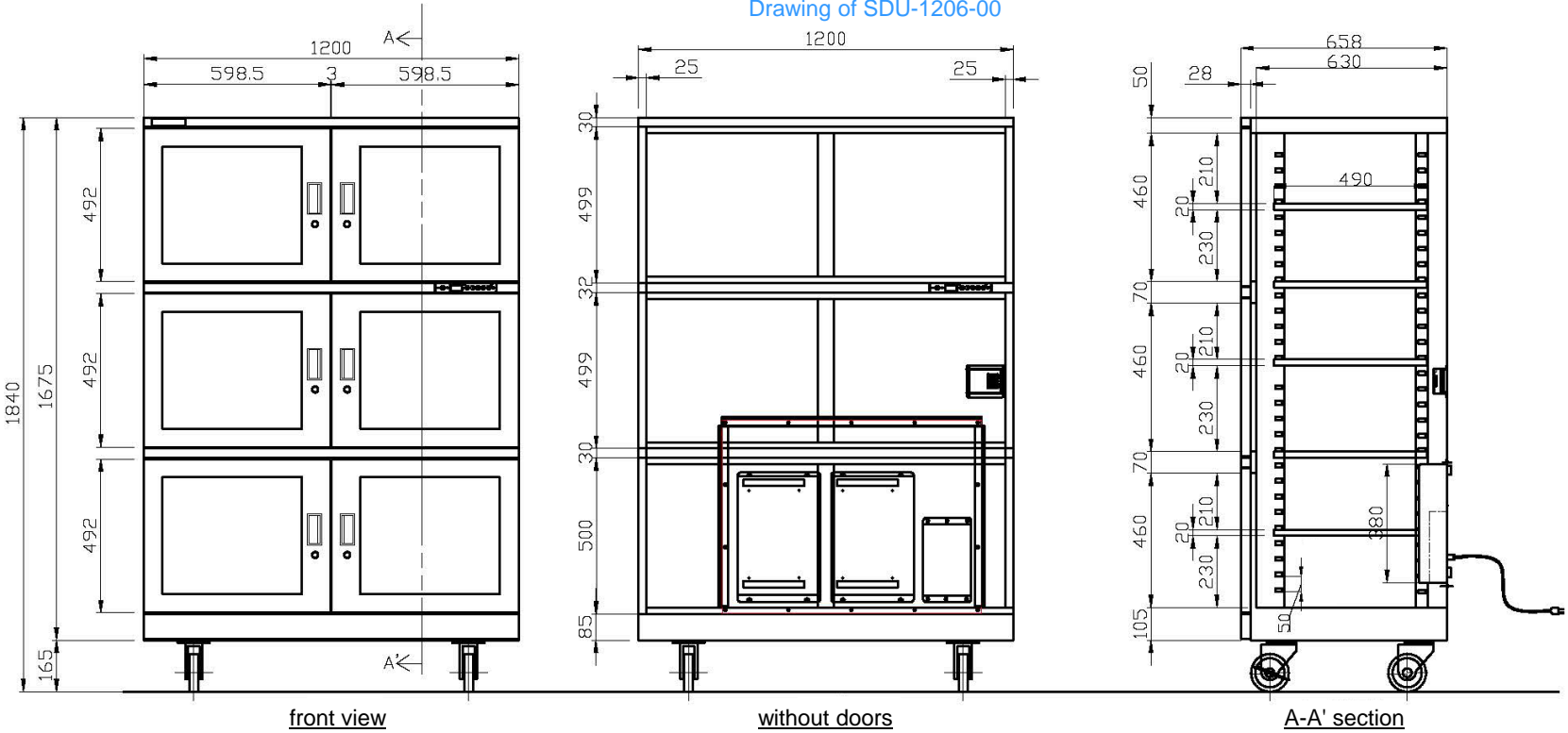
#### Specifications

Humidity control	Min. 0.5%RH
Sensor precision	±2%RH, ±1° C
External dimensions	(W x H x D) 1200 x 1840 x 670 mm
Internal dimensions	(W x H x D) 1190 x 1560 x 620 mm
Weight	167 kg
Capacity	1160 L
Shelves (W x D)	5 pcs, 1157 x 490 mm, adjustable
Max weight on shelf	100 kg
Structure	1.2mm Steel, ESD safe
Cabinet color	Gray
Door	6 pcs, with handles, airtight magnetic sealers
ESD grounding wire	1M Ω
Voltage	AC220V, 50/60Hz (110 V AC optional)
Power consumption	Ave. 56W/h
Castors	4 pcs, 2 of them with brakes

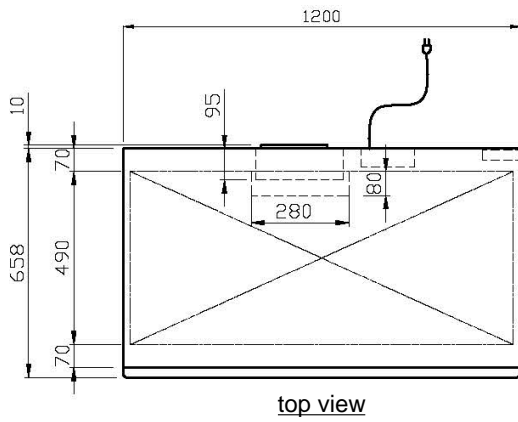


Model: SDU-1206-00 0.5%RH, 1160L

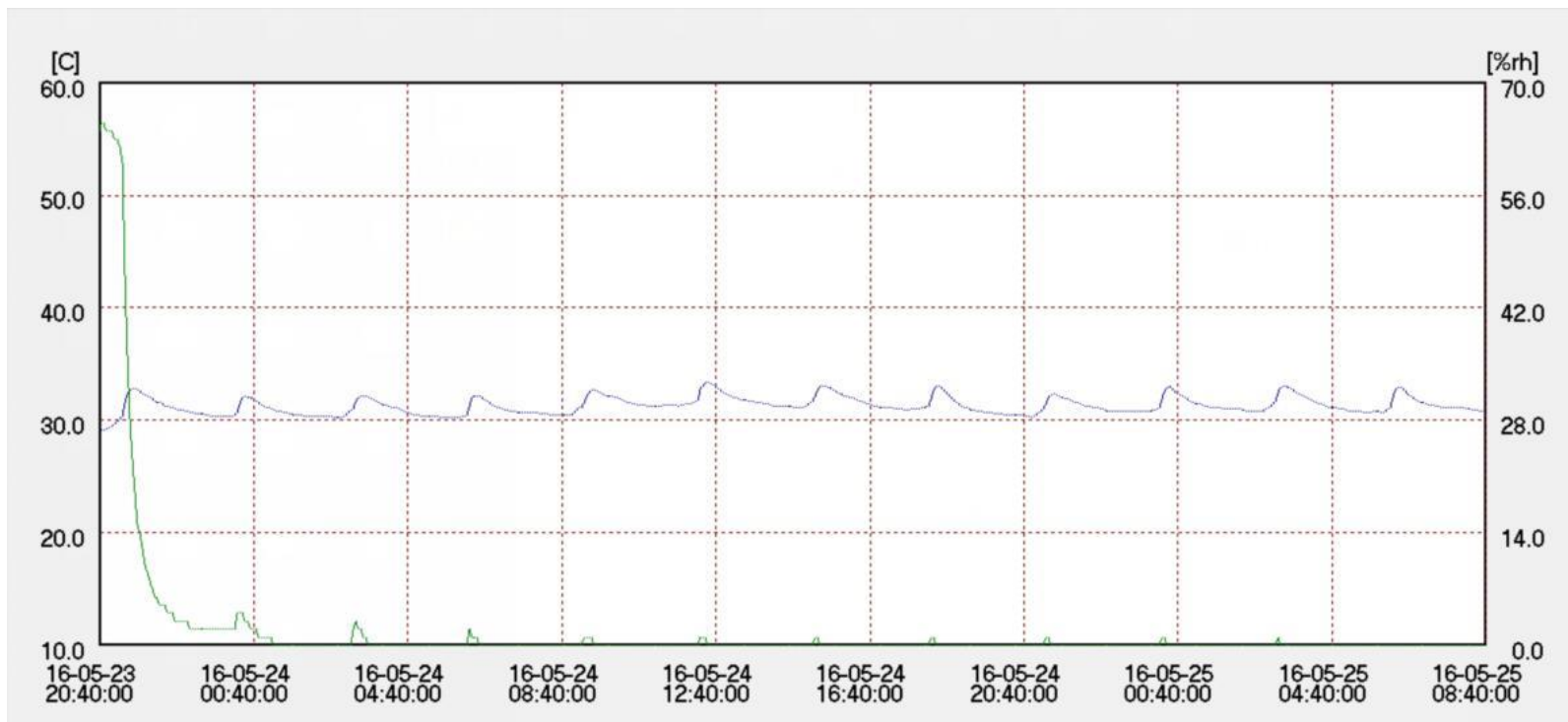
Drawing of SDU-1206-00



❖ Customized models with different dimensions are AVAILABLE.



Unloaded Test



- ❖ Condition: 2016.05.23 20:40 ~ 2016.05.25 08:40
- ❖ Instrument: CHINO Data logger, Model: MR6662. Accuracy rating:  $\pm 0.5^{\circ} \text{C}$ ,  $\pm 3\% \text{RH}$ .



Model: SDU-1206-00 0.5%RH, 1160L

Digital Control Panel

- ❖ Set humidity value precisely, display humidity and temperature value
- ❖ Set the humidity and door open alarm
- ❖ Set the nitrogen purging time
- ❖ Lock the panel to avoid unintended changes of setting
- ❖ Sensor calibration



Available options



❖ Extra shelf

Greatly increase the usable space inside Super Dry



❖ SMD single rack (stainless steel)

Suitable for storage of components on tape and reel, can pull out on rail



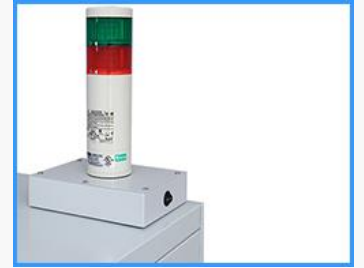
❖ SMD double rack (stainless steel)

Suitable for storage of components on tape and reel, can pull out on rail



❖ Humidity/ Door open alarm buzzer

Alarm buzzer sounds when its internal humidity/ door open time exceeds set value



❖ Humidity alarm light

Alarm light flashes and sounds when its internal humidity exceeds set value



❖ Independent Nitrogen purge system (Model TN2-02)

Effective usage of N<sub>2</sub> combined with Super Dry, help to accelerate the recovery time and oxidation prevention. Set the buttons on N<sub>2</sub> purge system itself



❖ Nitrogen valve (Model: HN2-01)

Simple N<sub>2</sub> flow meter 0-25L/min adjustable



❖ Nitrogen auto purge system (Model AN2-03)

Effective usage of N<sub>2</sub> combined with Super Dry, help to accelerate the recovery time and oxidation prevention. Set on digital control panel



❖ Adjustable legs

Available for effective stabilization



Standard

❖ Wrist strap connection

Allows grounding while handling ESD sensitive materials



❖ Data logger with software (model 174H)

Data logging humidity and temperature, can read and output data by software with a PC



Standard

❖ Castors(4 pcs)

To move the cabinet on floor easily