



TECHNICAL DATASHEET

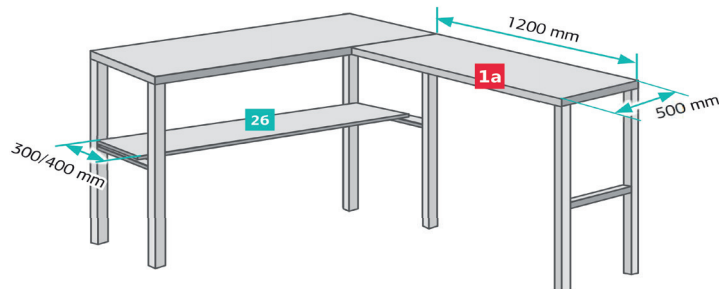
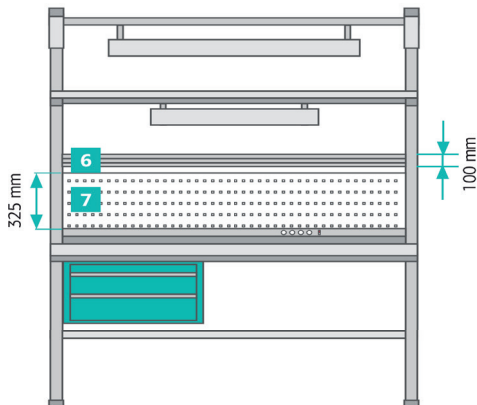
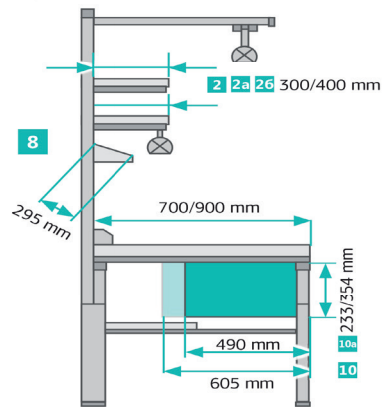
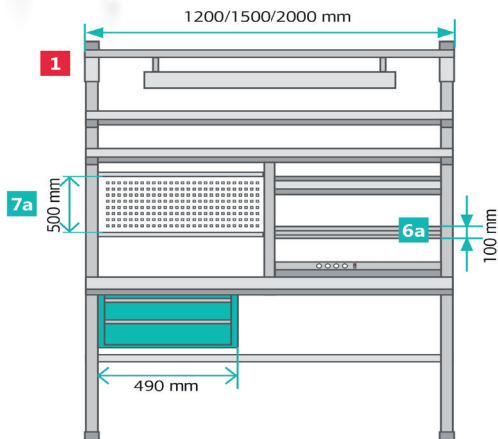
ESD & Technical Workbenches

VIKING

SKU: CLASSIC Series Workbenches



When ordering, please mention whether ESD or technical version, and whether dark grey RAL 7012 or light grey RAL 7035 color required.



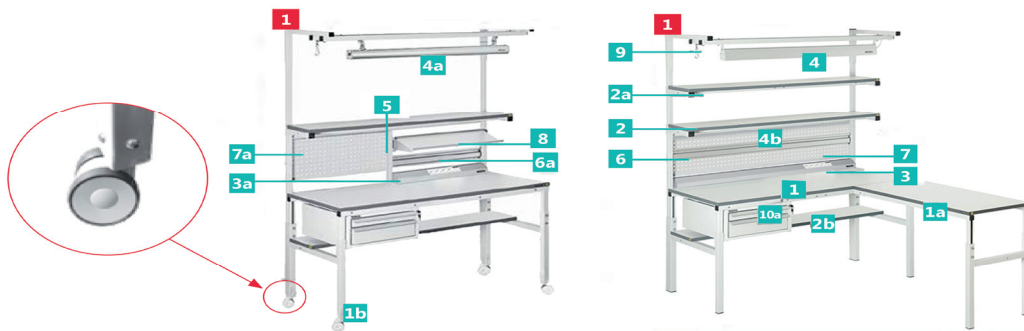





TECHNICAL DATASHEET

ESD & Technical Workbenches



SKU: CLASSIC Series Workbenches



- | | |
|--|--|
| <p>1 Classic Workbench   </p> <p>These workbenches can be placed in a line to make a common working area with no gaps. Universal design allows fitting out the workplace with additional equipment and drawer units. Tabletop thickness 25 mm.</p> <p> 650–900 mm  300 kg  300°C</p> <p>1a US-1 Corner workbench   </p> <p>Additional side outliner for Classic workbenches.</p> <p>1b K-SR and D-75 Classic workbench wheels set  </p> <p>Can be mounted to any Classic workbench, allows making it movable. K-SR holder and D-75 wheels shall be ordered separately.</p> <p>2 PO Main shelf   </p> <p>Rear racks included.</p> <p> 1000–1800 mm  50 kg  300/400 mm</p> <p>2a PO/1 Additional shelf   </p> <p>Requires PO Main shelf to be installed. Rear racks excluded.</p> <p> 1000–1800 mm  50 kg</p> <p> 300/400 mm</p> <p>2b PO/2 Underneath shelf   </p> <p>Not compatible with TP-01/P and TP-10/P Optional drawer units.</p> <p> 50 kg  300/400 mm</p> <p>3 EP Power panel </p> <p>3a ½ EP Power panel </p> <p>An aluminum case/ half-size case with four sockets, protective contact, switch and 3 m cable. Can be equipped with additional sockets, fuses, phone jacks and earth leakage circuit breakers.</p> <p>– Nominal load capacity: 10 A</p> <p>4 DL/A Workbench lighting </p> <p>An aluminum case with two energy-efficient luminescent 54 W lamps, light direction regulation and shadowless reflector provided. Quick switching on without shimmering, no strobing freeze. Provides at least 1200-lux illuminance at 1000 mm distance from the light source.</p> <p> 500-1350 mm from tabletop</p> <p>4a DL/S2 Workbench LED lighting </p> <p>An aluminum case with LED lamp and light direction regulation. Color temperature 4700-5300 K Provides at least 1200-lux illuminance at 1000 mm distance from the light source.</p> <p> 500-1350 mm from tabletop.</p> <p>Also available with dimmer.  See more on p. 46</p> | <p>4b DL/N2 Under-shelf local lighting  </p> <p>Additional lighting can be mounted under the main shelf or attached to perforated panel. Suitable for any workbench equipped with upper modules. Angle adjustment ±60°</p> <ul style="list-style-type: none"> – 2 versions: 60 cm length and 90 cm length – Color temperature 4700–5300 K <p>Provides at least 1000-lux illuminance at 1000 mm distance from the light source. Also available with dimmer.  See more on p. 46</p> <p>5 Middle upright for all items  </p> <p>Required to hold any ½ item. Three sizes to match standard workbench width.</p> <p>6 RK Bin rail  </p> <p>6a ½ RK Bin rail  </p> <p>Aluminum rail for bin storage placed along workbench length.</p> <p> RK — 1110/1410/1710×100 mm  10 kg</p> <p> ½RK — 530/680/830×100 mm</p> <p>7 PFP Perforated panel  </p> <p>7a ½ PFP Perforated panel  </p> <p>Panel can be equipped with different holders for additional equipment and tools storage —  See more on p.47</p> <p> PFP- 1190/1490/1790×325 mm  10 kg</p> <p> ½PFP - 610/760/910×500 mm</p> <p>8 PN Half-sized Sloped shelf   </p> <p>8a PNP Full-sized Sloped shelf   </p> <p>Sloped shelf with 10-55° angle adjustment provides comfort monitoring of working equipment.</p> <p> PN 534/684/834×295 mm  50 kg</p> <p> PNP 1111/1411/1711×295 mm</p> <p>9 IP Cantilever  </p> <p>Upper slat for fastening drawings, additional lighting and instruments. IP Cantilever can be additionally equipped by retracting KL-1200 mechanism —  See more on p.44</p> <p>10 Optional drawer units/   </p> <p>10a Optional drawer units with reduced depth   </p> <p>Storage solution for tools and components, no place on floor required. Those with reduced to 490 mm depth allow installing various additional equipment under a tabletop. Drawer unit can be placed either on left or right side.</p> |
|--|--|