



TECHNICAL DATASHEET

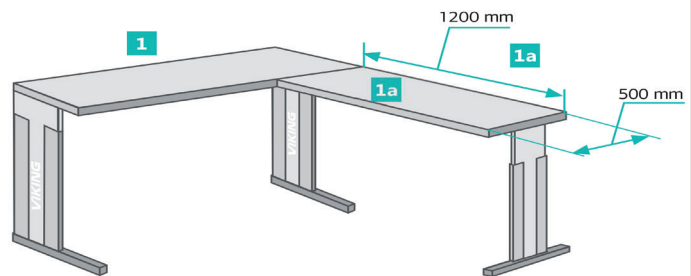
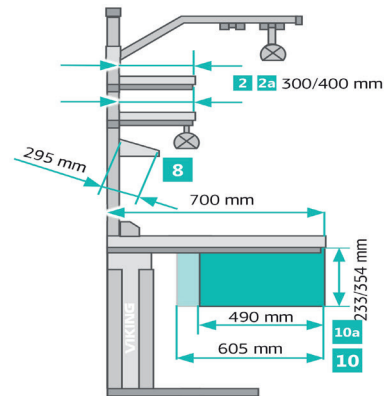
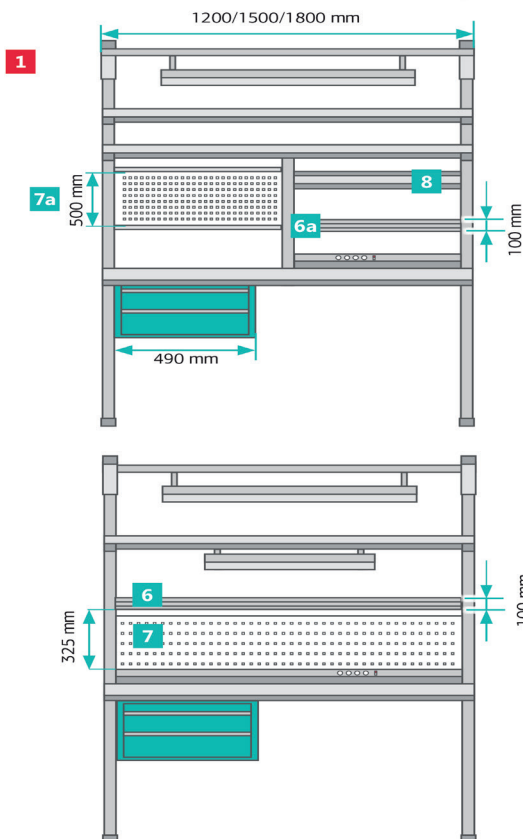
ESD & Technical Workbenches

VIKING

SKU: COMFORT Series Workbenches



When ordering, please mention whether ESD or technical version, and whether dark grey RAL 7012 or light grey RAL 7035 color required.



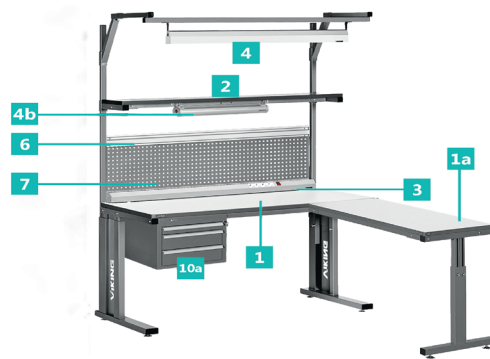
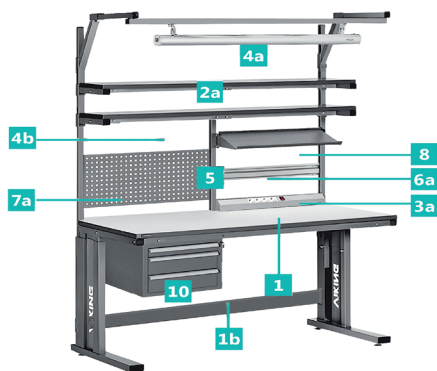


TECHNICAL DATASHEET

ESD & Technical Workbenches

VIKING

SKU: COMFORT Series Workbenches



1 COMFORT Workbench

Workbenches are settled on L-shape side supports and can be additionally equipped with a number of applicative modules. Tabletop thickness 25 mm.

800–950 mm 200 kg

300°C

1a US-1 Comfort Corner workbench

Additional side outlier for Comfort workbenches.

1b UP Additional lower slat

Provides extended stability and rigidity of the workbench

2 PO Main shelf

Rear racks included.

1000–1800 mm 50 kg

300/400 mm

2a PO/1 Additional shelf

Requires PO Main shelf to be installed. Rear racks excluded.

1000–1800 mm 50 kg

300/400 mm

3 EP Power panel

3a ½ EP Power panel

An aluminum case/ half-size case with four sockets, protective contact, switch and 3 m cable. Can be equipped with additional sockets, fuses, phone jacks and earth leakage circuit breakers.

– Nominal load capacity: 10 A

4 DL/A Comfort Workbench lighting

An aluminum case with two energy-efficient luminescent 54 W lamps, light direction regulation and shadowless reflector provided. Quick switching on without shimmering, no strobing freeze.

Provides at least 1200-lux illuminance at 1000 mm distance from the light source.

500–1350 mm from tabletop Also available with dimmer. See more on p. 46

4a DL/S2 Workbench LED lighting

An aluminum case with LED lamp and light direction regulation. Color temperature 4700–5300 K Provides at least 1200-lux illuminance at 1000 mm distance from the light source.

500–1350 mm from tabletop Also available with dimmer. See more on p. 46

4b DL/N2 Under-shelf local lighting

Additional lighting can be mounted under the main shelf or attached to perforated panel. Suitable for any workbench equipped with upper modules.

Angle adjustment $\pm 60^\circ$
– 2 versions: 60 cm length and 90 cm length
– Color temperature 4700–5300 K

Provides at least 1000-lux illuminance at 1000 mm distance from the light source.

Also available with dimmer. See more on p. 46

5 Middle upright for all items

Required to hold any ½ item. Three sizes to match standard workbench width.

6 RK Bin rail

6a ½ RK Bin rail

Aluminum rail for bin storage placed along workbench length.

RK — 1110/1410/1710×100 mm 10 kg

½ RK — 530/680/830×100 mm

7 PFP Perforated panel

7a ½ PFP Perforated panel

Panel can be equipped with different holders for additional equipment and tools storage. See more on p.47

10 kg

PFP — 1190/1490/1790×325 mm

½ PFP — 610/760/910×500 mm

8 PN Half-sized Sloped shelf

8a PNP Full-sized Sloped shelf

Sloped shelf with 10–55° angle adjustment provides comfort monitoring of working equipment.

PN 534/684/834×295 mm 50 kg

PNP 1111/1411/1711×295 mm

9 IP Cantilever

Upper slat for fastening drawings, additional lighting and instruments. IP Cantilever can be additionally equipped by retracting KL-1200 mechanism.

See more on p.44

10 Optional drawer units/

10a Optional drawer units with reduced depth

Storage solution for tools and components, no place on floor required. Those with reduced to 490 mm depth allow installing various additional equipment under a tabletop. Drawer unit can be placed either on left or right side.