



TECHNICAL DATASHEET

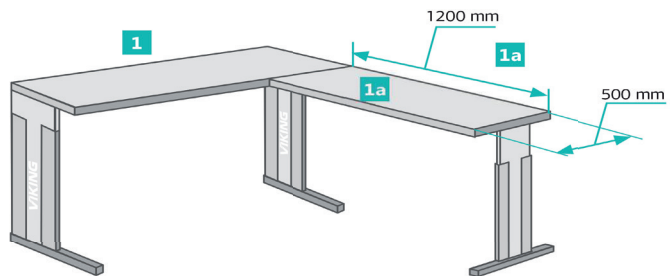
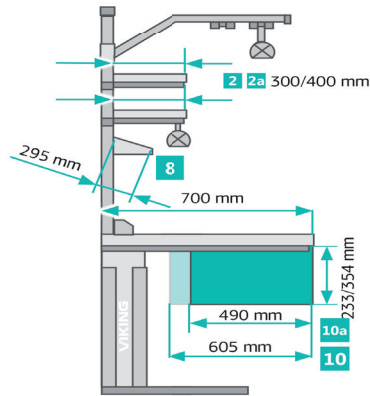
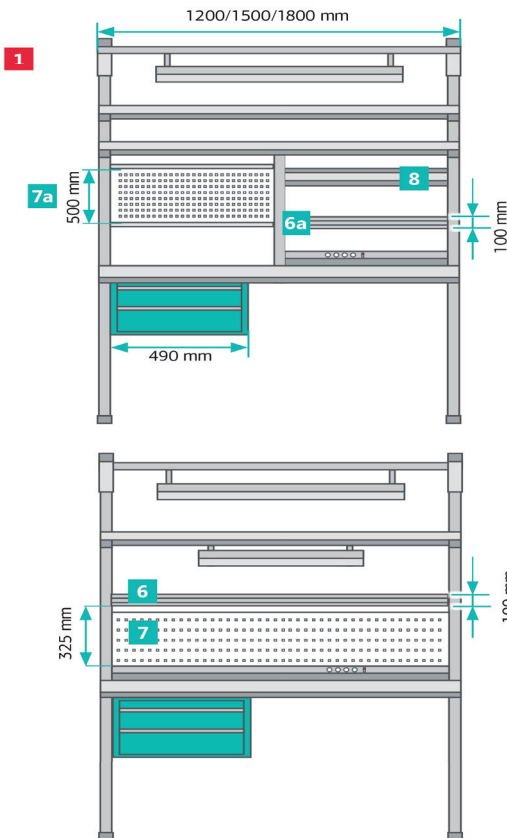
ESD & Technical Workbenches

VIKING

SKU: COMFORT Series Workbenches



When ordering, please mention whether ESD or technical version, and whether dark grey RAL 7012 or light grey RAL 7035 color required.



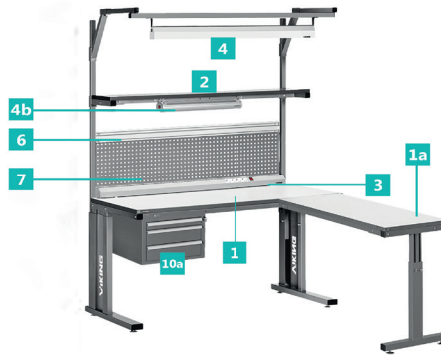
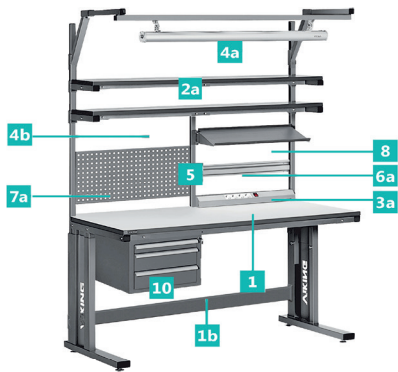


TECHNICAL DATASHEET

ESD & Technical Workbenches



SKU: ALLIANCE Series Workbenches



- 1** COMFORT Workbench

Workbenches are settled on L-shape side supports and can be additionally equipped with a number of applicative modules. Tabletop thickness 25 mm.

800–950 mm 200 kg

300°C
- 1a** US-1 Comfort Corner workbench

Additional side outlier for Comfort workbenches.
- 1b** UP Additional lower slat

Provides extended stability and rigidity of the workbench
- 2** PO Main shelf

Rear racks included.

1000–1800 mm 50 kg

300/400 mm
- 2a** PO/1 Additional shelf

Requires PO Main shelf to be installed. Rear racks excluded.

1000–1800 mm 50 kg

300/400 mm
- 3** EP Power panel
- 3a** ½ EP Power panel

An aluminum case/ half-size case with four sockets, protective contact, switch and 3 m cable. Can be equipped with additional sockets, fuses, phone jacks and earth leakage circuit breakers.

– Nominal load capacity: 10 A
- 4** DL/A Comfort Workbench lighting

An aluminum case with two energy-efficient luminescent 54 W lamps, light direction regulation and shadowless reflector provided. Quick switching on without shimmering, no strobing freeze. Provides at least 1200-lux illuminance at 1000 mm distance from the light source.

500–1350 mm from tabletop See more on p. 46

Also available with dimmer.
- 4a** DL/S2 Workbench LED lighting

An aluminum case with LED lamp and light direction regulation. Color temperature 4700–5300 K Provides at least 1200-lux illuminance at 1000 mm distance from the light source.

500–1350 mm from tabletop See more on p. 16

Also available with dimmer.
- 4b** DL/N2 Under-shelf local lighting

Additional lighting can be mounted under the main shelf or attached to perforated panel. Suitable for any workbench equipped with upper modules.

Angle adjustment ±50°

 - 2 versions: 60 cm length and 90 cm length
 - Color temperature 4700–5300 K

Provides at least 1000-lux illuminance at 1000 mm distance from the light source.

Also available with dimmer. See more on p. 46
- 5** Middle upright for all items

Required to hold any ½ item. Three sizes to match standard workbench width.
- 6** RK Bin rail
- 6a** ½ RK Bin rail

Aluminum rail for bin storage placed along workbench length.

RK — 1110/1410/1710×100 mm 10 kg

½ RK — 530/680/830×100 mm
- 7** PFP Perforated panel
- 7a** ½ PFP Perforated panel

Panel can be equipped with different holders for additional equipment and tools storage. See more on p.47

10 kg

PFP — 1190/1490/1790×325 mm

½ PFP — 610/760/910×500 mm
- 8** PN Half-sized Sloped shelf
- 8a** PNP Full-sized Sloped shelf

Sloped shelf with 10–55° angle adjustment provides comfort monitoring of working equipment.

PN 534/684/834×295 mm 50 kg

PNP 1111/1411/1711×295 mm
- 9** IP Cantilever

Upper slat for fastening drawings, additional lighting and instruments. IP Cantilever can be additionally equipped by retracting KL-1200 mechanism. See more on p.44
- 10** Optional drawer units/
- 10a** Optional drawer units with reduced depth

Storage solution for tools and components, no place on floor required. Those with reduced to 490 mm depth allow installing various additional equipment under a tabletop. Drawer unit can be placed either on left or right side.